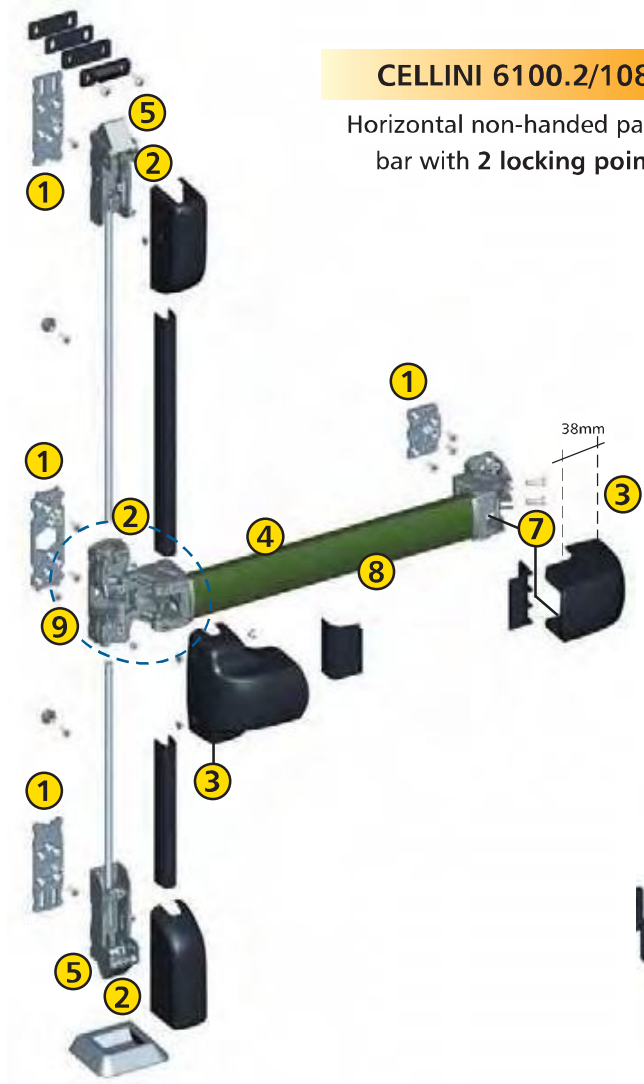


ARCOM GLASS

CELLINI 6100.2/1085

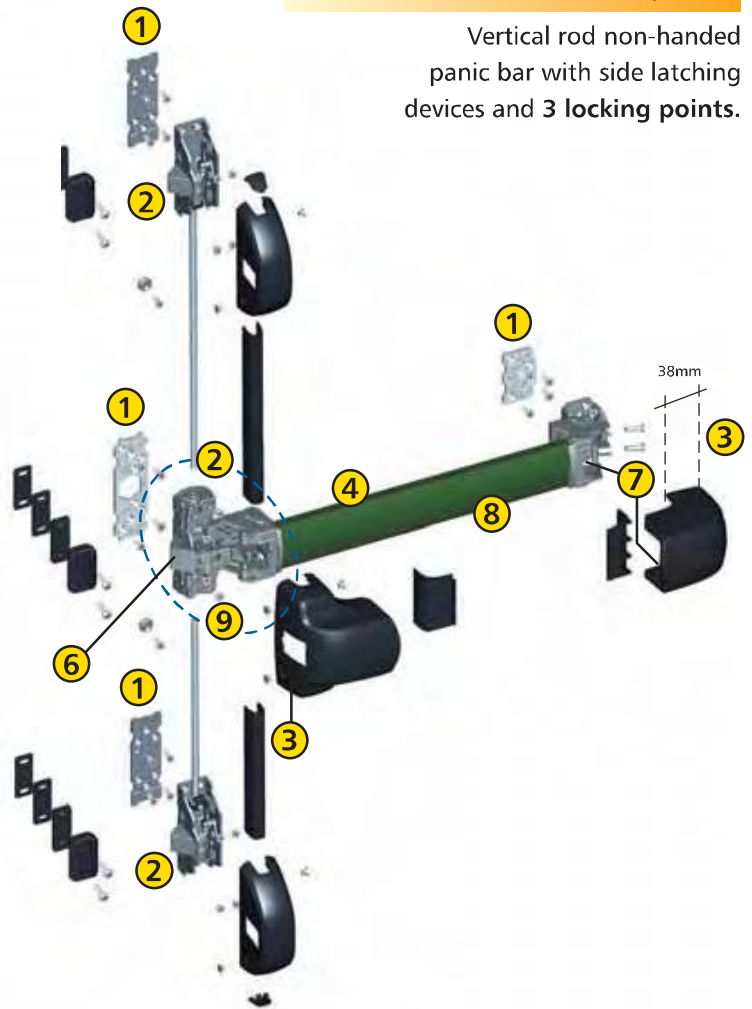
Horizontal non-handed panic bar with 2 locking points.



Secondary support coverplate also available in the version symmetrical to the main one (optional).

CELLINI 6100.3/1085

Vertical rod non-handed panic bar with side latching devices and 3 locking points.



- ① All supports and latch bolts are assembled on steel counterplates (also welded) for quick, easy and secure fastening.
- ② All mechanisms are fully non-handed.
- ③ Compact size (38 mm) to allow mounting even on standard profiles.
- ④ Horizontal bars with large elliptical section for a better manoeuvring and grasping.
- ⑤ Adjustable top and bottom latch bolts with burglar-proof device.
- ⑥ Central latch bolt with burglar-proof device.
- ⑦ Secondary support for inserting the dogging mechanism and microswitch.
- ⑧ Grippable horizontal bar for easier re-shutting of the door; in just one aluminium piece, therefore quicker and easier to cut, with wide cutting tolerance.
- ⑨ Movement on rollers for improved smoothness of operation.