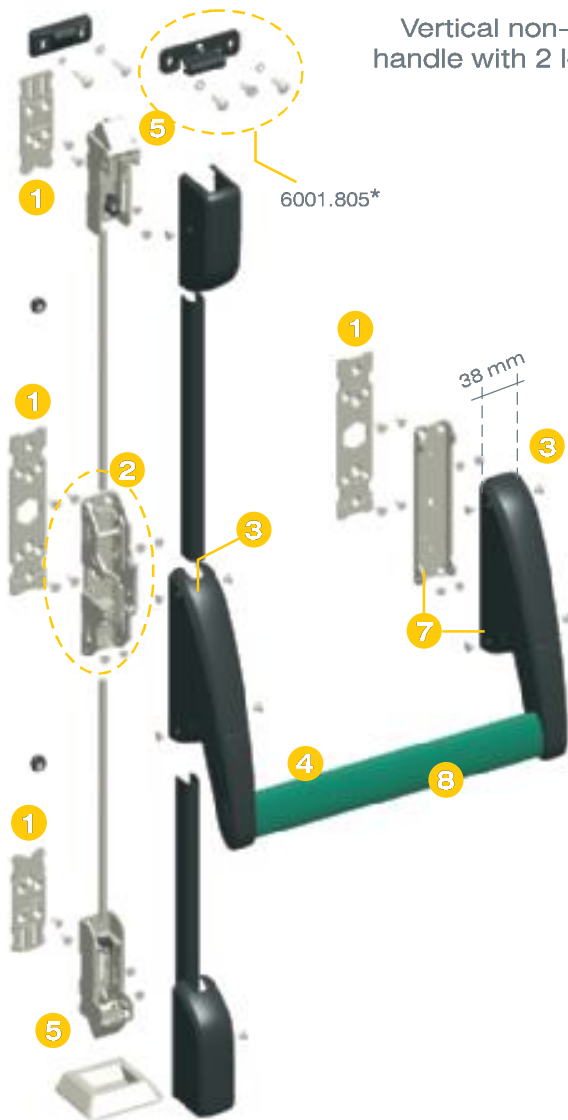


6000.1/1200 - 6001.1/1200

Vertical non-handed panic handle with 2 locking points.



- 1 All supports and latches are screwed onto counterplates in steel (possibly welded) for easy, strong and fast fixing
- 2 Totally non-handed mechanism
- 3 Reduced footprint (38 mm) for assembly on standard profiles too
- 4 Horizontal bars with wide profile for better manoeuvrability
- 5 Adjustable top and bottom latches and with anti-burglar device
- 6 Central latch with anti-burglar device
- 7 Secondary support pre-set for the addition of the dogging mechanism and of the microswitch
- 8 Horizontal bar to be inserted with wide machining tolerances; in steel, with 40-mm oval section

**FIRST YOU INSTALL IT,
THEN... YOU FORGET ABOUT IT**

2,000,000 tested cycles:
10 times the requested regulatory level!

* Range of keepers included in the complete kits for fire-resistant version

6000.3/1200 - 6001.3/1200

Vertical non-handed panic handle with lateral closing, 3 locking points

